



ALPHA



British designed and
built for British farmers



‘BACK TO BASICS’

British sprayer manufacturers have focused on sophisticated machines over recent years. This has had an impact on the less advanced sprayer and has resulted in the market being flooded with cheap imports.

Team Sprayers of Ely feel it is time to fight back with a UK designed and manufactured alternative.



team-sprayers.com • 01353 661 211

The Alpha range has been designed as a low-cost, simple to use, mounted sprayer built with the highest quality components and combining a strong, rugged design for years of reliable service.

Tanks polythene impact resistant
Booms rear folding steel tubular section [galvanised optional extra]
Nozzles colour coded with check valves
Pump PTO driven diaphragm Poly series
Controls manual sectional controls with pressure regulation

Weight & Dimensions

Weight – 275kg
Transport Width – 2.35m



Alpha 800L sprayer with 12m boom

STANDARD FEATURES

600L, 800L or 1000L main tank
12M Manual fold, winch lift spray boom [self-levelling]
Bertolini manual spray and pressure controls [balanced]
Bertolini 73LPM PTO diaphragm pump
Chemical can rinse
Clean water hand wash
CAT 2 3-point linkage chassis
Nozzle body 'anti drip' check valves
2 pack paint finish
1 year manufacturers' warranty

Optional Extras

- Hydraulic boom lift
- 20L Chemical induction bowl incl. rinse valve
- Galvanised chassis and boom
- 8m Tank fill valve and hose kit
- In-cab electric spray on/off only (Bertolini valve)
- 20L Bout/foam marker kit [Arag]
- Road lighting kit



Leaders in the field of application

Team Sprayers Ltd
Unit 3 Lancaster Way Business Park,
Witchford, Ely, Cambridgeshire CB6 3NW

E sales@team-sprayers.com 



SIGMA

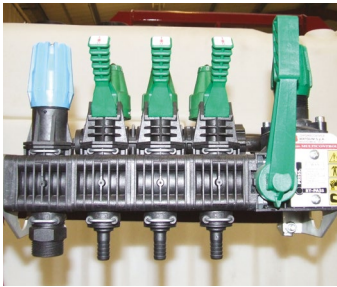
British designed and
built for British farmers



team-sprayers.com • 01353 661 211

STANDARD FEATURES

Controls



Manually operated
balanced control valves
operate all spray functions.



Work station controlling
primary functions to
operate the sprayer and
when cleaning or filling.
*[shown with optional water
suction & tank rinse valves].*



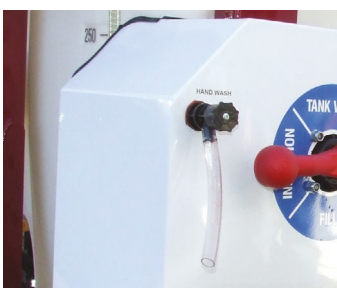
Chemical induction 60L
hopper for safe transfer
of liquids and powders
via a high pressure venturi
system to the main tank, a
rotary nozzle for cleaning
containers.



Diaphragm pump:
High quality poly'
diaphragm pump
withstands any aggressive
plant protection chemicals.



Clothes storage:
For all PPE equipment.



15L Clean water supply:
For hand washing.

Booms



Boom construction:
All booms are manufactured
from steel tubular sections.
The three dimensional
structure guarantees
strength and durability.
All nozzles and spray lines
are secured above the base
of the boom for protection
against accidental damage.



Boom adjustment:
All pivot points and fold
rams can be adjusted to
counteract wear.



Boom stowage system:
Secures boom assembly in
the folded position for safe
road transport.

'Break back' boom design
is a standard feature on all
models to avoid damage
from unseen obstructions.

Boom flexibility:
12m manual fold to 7m.

12/15/18 hydraulic fold
to 8m.

**Folds to a compact 2.4m
transport width.**

OPTIONAL EXTRAS

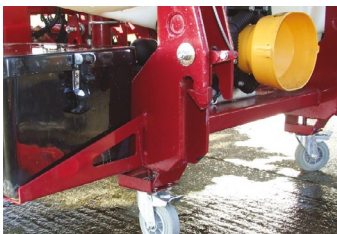


1000L x 15M Version



Close coupling optimises weight distribution on smaller tractors (70-100hp).

Quick hitch 3 point linkage system



Water suction & tank rinsing

Removable chassis mounted wheel kit for ease of moving around the workshop.



In cab electric spray controls to operate all spray functions.



Computerised spray rate controller automatically adjusts spray application rate to forward speed.



Front tank: 600, 800, 1000, 1500L Tank options: hydraulically driven transfer pump (700LPM). Incab electric transfer controls. Bull-bar complete with road lighting; 3 point linkage frame.



Triple nozzle assemblies enable the operator to select from a choice of 3 nozzle sizes for various applications.



18m hydraulic folding boom

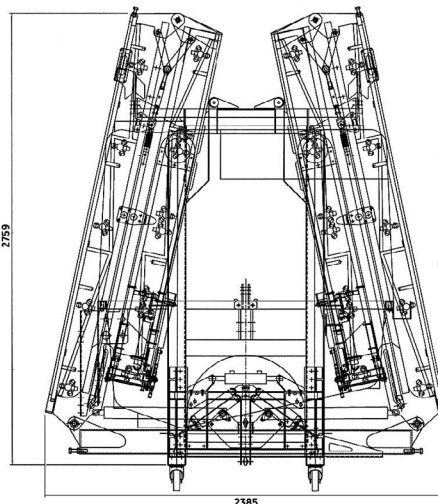
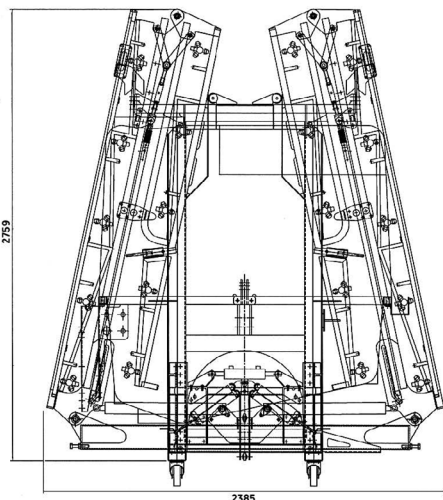
Other Optional Extras

- Air shut-off and liquid recirculation
- Bout/foam maker
- One-side boom folding
- Stainless steel spray lines
- Retractable hose reel for cleaning

Item	Dimension
Tank capacities [L]	800, 1000, 1200, 1500
Pumps (type / L per min)	Poly 2116 / 120; Poly 2180 / 180
Boom lengths [m]	12, 15, 18
Hydraulic outlet required	one single, one double acting valves (standard hydraulic fold boom)
Weight [Kg]	tba
Total height [m]	3.1
Total width [m]	2.4
Rinse tank [L]	80

12M (NEW COMPACT)

15M (NEW COMPACT)



Leaders in the field of application

Team Sprayers Ltd
 Unit 3 Lancaster Way Business Park,
 Witchford, Ely, Cambridgeshire CB6 3NW
 E sales@team-sprayers.com 

team-sprayers.com • 01353 661211



ARIAN2 SPRAYER



British designed and built for British farmers

Introducing the **NEW** Arian 2 Mounted Crop Sprayer



Shown with 1600L tank and 24m boom

Side & rear folding boom options



www.team-sprayers.com

ARIAN2 SPRAYER



Standard features



Controls

Standard in-cab spray and pressure controls from one control box mounted in the cab.



Hydraulic spray functions are mounted at the rear and protected by a moulded cover.



Work station controlling primary functions to operate the sprayer and when cleaning or filling.



Chemical induction:
Large 60L hopper for safe transfer of liquids and powders via a high pressure venturi system to the main tank, a rotary nozzle for cleaning containers.



Diaphragm pump:
High quality poly' diaphragm pump withstands any aggressive plant protection chemicals.



Clothes storage:
25L clothing and PPE locker.

Clean water supply:
100L for tank rinsing and boom flushing.

Hand wash:
15L clean water supply.

Booms

Boom construction:
All booms are manufactured from steel tubular sections. The three dimensional structure guarantees strength and durability.

All nozzles and spray lines are secured above the base of the boom for protection against accidental damage.

Boom adjustment:
All pivot points and fold rams can be adjusted to counteract wear.

Hose & cable guide tidies and protects hoses and cables.

Boom storage system:
Secures boom assembly in the folded position for safe road transport.

Break back:
All booms are fitted with break back pivot points to protect against unforeseen obstacles.

Boom flexibility:
It is possible to work with the boom part-folded:
18 to 9m
20 to 11m
21 to 11m
24 to 12m



ARIAN2



SPRAYER

Optional extras

Tank options: 1200L, 1600L, 1800L

Rear fold boom options: 20, 21 & 24m



24m rear fold boom



Computerised spray rate controller automatically adjusts spray application relative to forward speed via traditional magnet and sensor, ISO pick-up or GPS radar.

GPS boom sectional switching available.

Front tank:
600 - 1500L tank options
600L capacity; hydraulically driven transfer pump (700LPM).
Incab electric transfer controls.
Bull-bar complete with road lighting;
3 point linkage frame.



Variable boom geometry enables the operator to individually lift either side of the boom to match contoured land. (above)



24m rear fold boom

Other optional extras

- Boom re-circulation (*compressed air shut-off*)
- GPS boom section switching
- Stainless steel spray lines
- Bout/foam maker
- One-side boom fold (*outer section only*)
- Retractable hose reel for cleaning



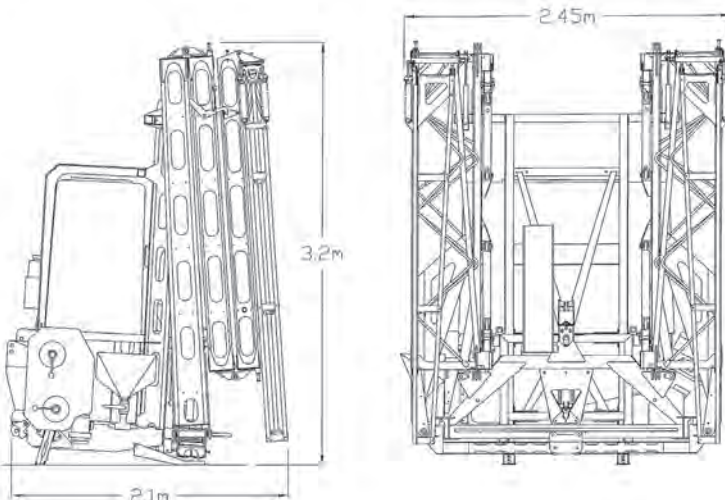
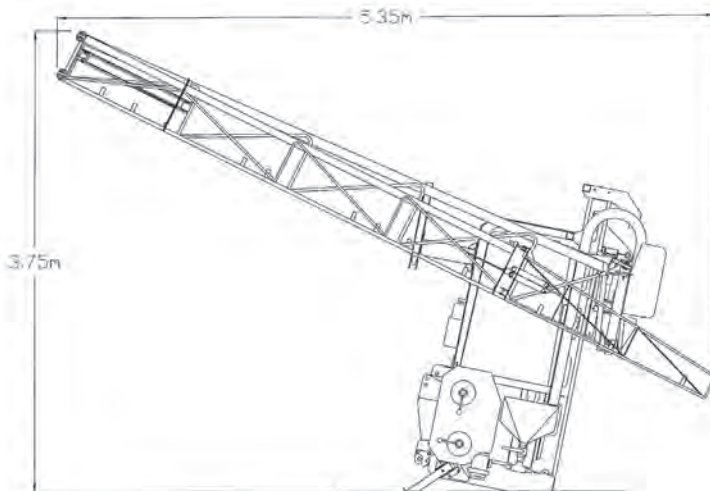
ARIAN² SPRAYER



Technical specifications

Item	Dimension
Tank capacities (L)	1200, 1600, 1800
Pumps (type / L per min)	Poly 2180 / 180; Poly 2250 / 250
Boom lengths side fold (m)	20, 21, 24
Boom lengths rear fold (m)	20, 21, 24
Hydraulic outlet required	one single acting and two double acting valves (standard machine)
Weight (Kg)	1250 (side fold); 1400 (rear fold)
Total height (m)	3.2 (24m rear fold); 3.8 (24m side fold)
Total width (m)	2.4 (24m rear fold); 2.7 (24m side fold)
Rinse tank (L)	100

Notes: The Arian is available with a range of booms from 18 to 24m. All booms have pendulum system and anti-yaw damping. The Arian chassis and boom have been designed to meet the rigorous demands of any farming environment, the reclined chassis design avoids the need for front stabilisation and when lifted, a vertical position is achieved without any adjustment.



Team Sprayers Limited

Unit 3 Lancaster Way Business Park
 Witchford, Ely, Cambs CB6 3NW
 Tel: 01353 661 211 Fax: 01353 666 642
 Email: sales@team-sprayers.com
www.team-sprayers.com



Leaders in the field of application



FRONT TANKS



British designed and
built for British farmers



1000L version



Front Tanks

TECHNICAL SPECIFICATIONS



The **Team Front Mounted Tank range** is specially designed to increase spraying capacity therefore increasing productivity. The unit is quick and easy to mount and demount from the tractor and is fitted with quick release couplings on all liquid and hydraulic hoses. In cab controls allow fast transfer of liquid to the rear tank during the spraying operation.

New for 2013 the low-line 1000 & 1500L tank increasing operator visibility, ground clearance and being closer coupled to the tractor reduces overall length and maximises the weight distribution.



FEATURES

- In-cab liquid transfer or agitation switching
- Robust steel chassis with **fold-away storage** legs
- Increased ground clearance
- Improved weight distribution
- Proven reliable design
- Low line tank for maximum operator forward vision
- Impact resistant polythene tanks
- Powerful 700L/min transfer pump



Weight & Dimensions

Weight: 330 Kg (1000L version)

Transport width: 1.4m (600L version); 1.7m (800L version); 2.0m (1000 & 1500L versions)

Tanks: 600-1500L impact resistant polyethylene

Pump: Hydraulically driven centrifugal, 700 L/min max

Controls: 12v In-cab electric

Standard Features

Hydraulic powered transfer pump

Tank fill valve and hose kit

Bull bar and road lighting

In-cab operated 12v transfer/agitate valve 3-point linkage frame (Cat 2)

Transfer hose kit

Foldaway demount/storage legs

Quick fit couplings on all hoses



Optional Extras

- 25L Stainless steel chemical induction hopper incl. can rinse
- 600/800/1000 or 1500L tanks
- Cleanwater hand wash tank
- PPE locker
- Bolt on adaption frame



Leaders in the field of application

Team Sprayers Ltd
Unit 3 Lancaster Way Business Park,
Witchford, Ely, Cambridgeshire CB6 3NW

E sales@team-sprayers.com 

team-sprayers.com • 01353 661211